



4-ch RAID0 Design (NVMeG3-IP) reference design manual

1	Introduction	2
2	Hardware overview.....	3
2.1	TestGen	5
2.2	NVMeG3Raid0x4 IP	9
2.2.1	NVMeG3-IP	10
2.2.2	PCIe PHY IP	10
2.2.3	Dual port RAM.....	10
2.2.4	FIFO	11
2.2.5	RAID0x4.....	11
2.3	CPU and Peripherals	15
2.3.1	AsyncAxiReg.....	16
2.3.2	UserReg	18
3	CPU Firmware	21
3.1	Test firmware (nvme3ipraid0x4test.c)	21
3.1.1	Identify command.....	21
3.1.2	Write/Read command.....	22
3.1.3	SMART Command,	22
3.1.4	Flush Command.....	23
3.1.5	Shutdown Command.....	23
3.2	Function list in Test firmware.....	24
4	Example Test Result	27
5	Revision History.....	28

4-ch RAID0 Design (NVMeG3-IP) reference design manual

Rev1.0 9-Aug-23

1 Introduction

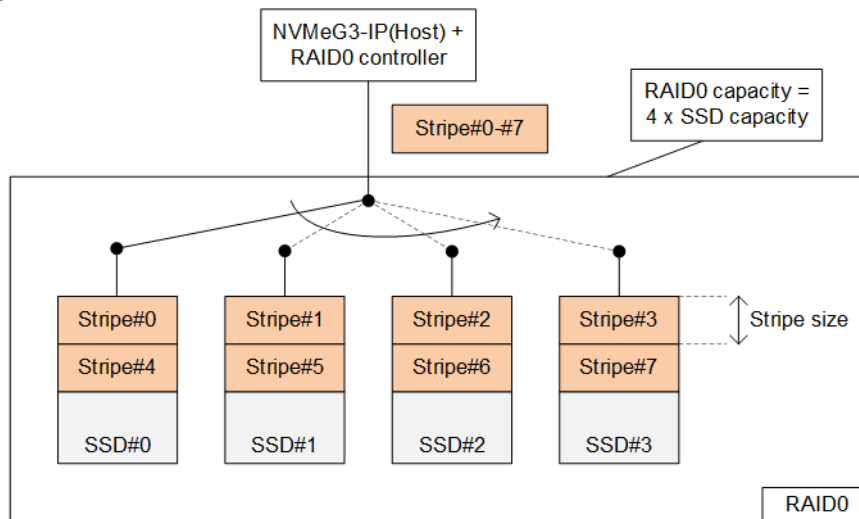


Figure 1-1 RAID0 by 4 SSDs data format

RAID0 system uses multiple storages to extend total storage capacity and increase write/read performance. Assumed that total number of devices is N , total storage capacity is equal to N times of one device capacity. Write and read performance of RAID0 are almost equal to N times of one device performance.

Data format of RAID0 is shown in Figure 1-1. Data stream of the host side is split into a small stripe for transferring with one SSD at a time. Stripe size is the data size storing in one SSD before switching to other SSDs. In RAID0 reference design, stripe size is equal to 512-byte.

Four SSDs connecting in the system should be the same model to match the characteristic and achieve the best performance. As a result, the total capacity is equal to four times of one SSD and the write/read performance are almost four times of one SSD performance.

The demo uses FIFO implemented by BlockRAM to be the buffer which has smaller size than using DDR. Therefore, the buffer is sometimes not ready to transfer data when SSD pauses data transmission for long time. Test performance in the demo is average speed, not sustain rate. User can modify RAID0 reference design by increasing the numbers of SSD to achieve the better performance and the bigger capacity. Furthermore, user can add DDR to be data buffer in the system for supporting high speed transferring as sustain rate.

Before running the reference design, it is recommended to study NVMeG3-IP datasheet and single channel demo firstly from following link.

http://www.dgway.com/products/IP/NVMe-IP/dg_nvme3_ip_data_sheet_en.pdf

http://www.dgway.com/products/IP/NVMe-IP/dg_nvme3ip_refdesign_en.pdf

http://www.dgway.com/products/IP/NVMe-IP/dg_nvme3ip_instruction_en.pdf

2 Hardware overview

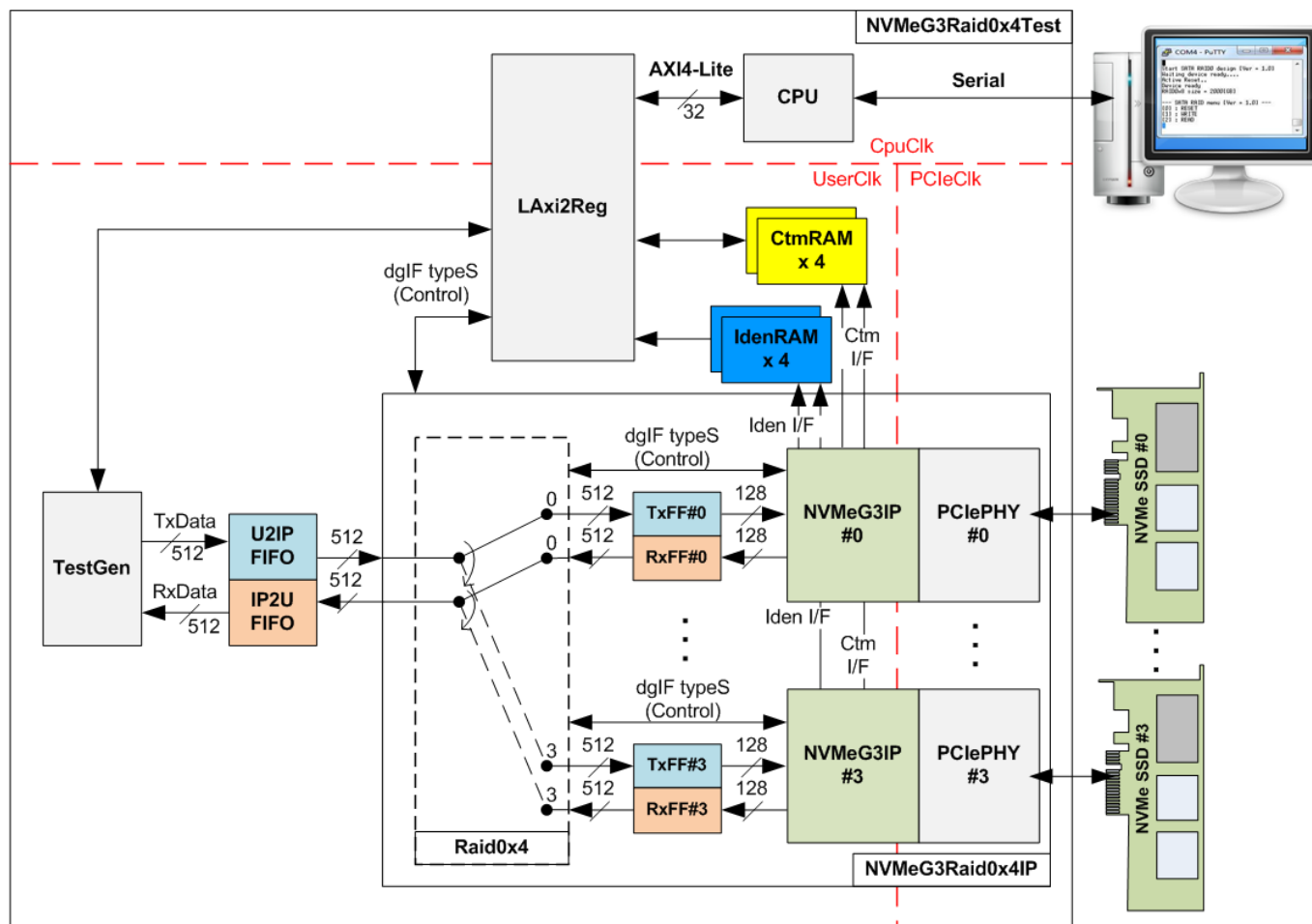


Figure 2-1 RAID0x4 demo system by using NVMeG3-IP

The hardware system can be divided to three groups, i.e. TestGen, NVMeG3Raid0x4, and CPU. First, TestGen is the test logic to generate and verify test data stream with NVMeG3Raid0x4 through U2IPFIFO/IP2UFIFO. Second, NVMeG3Raid0x4 consists of the RAID0x4, four NVMeG3-IPs, and four PCIe PHY IPs. Data format in four NVMe SSDs is arranged as RAID0 format by RAID0x4 module. Each NVMe SSD must directly connect to each PCIe PHY IP, without PCIe switch. Last, CPU and LAXI2Reg are designed to interface with user through Serial interface. User can set test parameters and monitor hardware status through Serial console. After receiving the command from user, CPU firmware calculates all parameters for setting each hardware to finish user command.

There are three clock domains displayed in Figure 2-1, i.e. CpuClk, PCIeClk, and UserClk. First, CpuClk is the clock domain of CPU and its peripherals. This clock must be stable clock which can be different from the clock for other hardwares. Second, PCIeClk is the clock output from PCIe PHY IP. When the PCIe PHY IP is set to 4-lane PCIe Gen3, PCIeClk frequency is equal to 250 MHz for 128-bit AXI4 stream bus. Last, UserClk is the example user clock domain for running all user logics such as RAID0x2, NVMeG3-IP, RAM, FIFO, and TestGen. According to NVMeG3-IP datasheet, clock frequency of UserClk must be more than or equal to PCIeClk. In this reference design, UserClk is equal to 280 MHz for PCIe Gen3.

There are six memories implemented by BlockRAM in the test system, i.e. CtmRAM, IdenRAM, TxFIFO, RxFIFO, U2IPFIFO, and IP2UFIFO.

CtmRAM stores returned data of each SSD from SMART command while IdenRAM stores returned data from Identify command. When running SMART command or Identify command, the returned data from the command is decoded by CPU which is read through LAXi2Reg module by using AXI4-Lite interface.

TxFIFO and RxFIFO are connected between RAID0x4 and NVMeG3-IP to convert data bus size from 512-bit to 128-bit. U2IPFIFO and IP2UFIFO are connected between TestGen and NVMeG3Raid0x4 for storing data when running Write command and Read command respectively. TestGen is designed to monitor flow control signal of U2IPFIFO and IP2UFIFO to be always read and write data when the FIFO is ready. The FIFO depth is set to 512 x 512 bit. More details of the hardware are described as follows.

2.1 TestGen

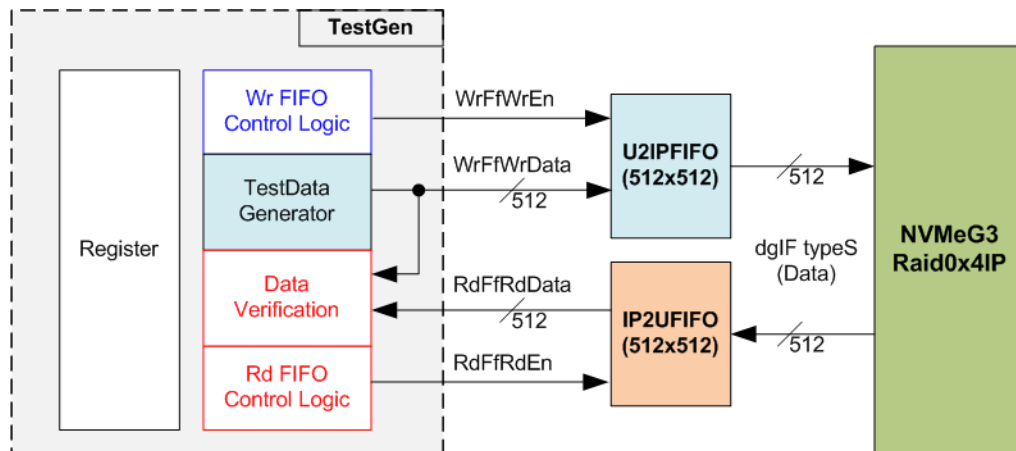


Figure 2-2 TestGen interface

TestGen module is the test logic to send test data to NVMeG3Raid0x4-IP through U2IPFIFO when operating Write command. On the other hand, the test data is applied to be the expected value to verify the read data from NVMeG3Raid0x4-IP through IP2UFIFO when operating Read command. Control logic asserts Write enable or Read enable to '1' when the FIFOs are ready. Data bandwidth of TestGen is matched to NVMeG3Raid0x4-IP by running at the same clock and same data bus size, so NVMeG3Raid0x4-IP can transfer data with U2IPFIFO and IP2UFIFO without waiting data ready. As a result, the test logic shows the best performance to write and read data with the SSD through NVMeG3Raid0x4-IP.

Register file in the TestGen receives test parameters from user, i.e. total transfer size, transfer direction, verification enable, and test pattern selector. So, the internal logic includes the counter to control total transfer size of test data. The details of hardware logic within TestGen module are shown in Figure 2-3.

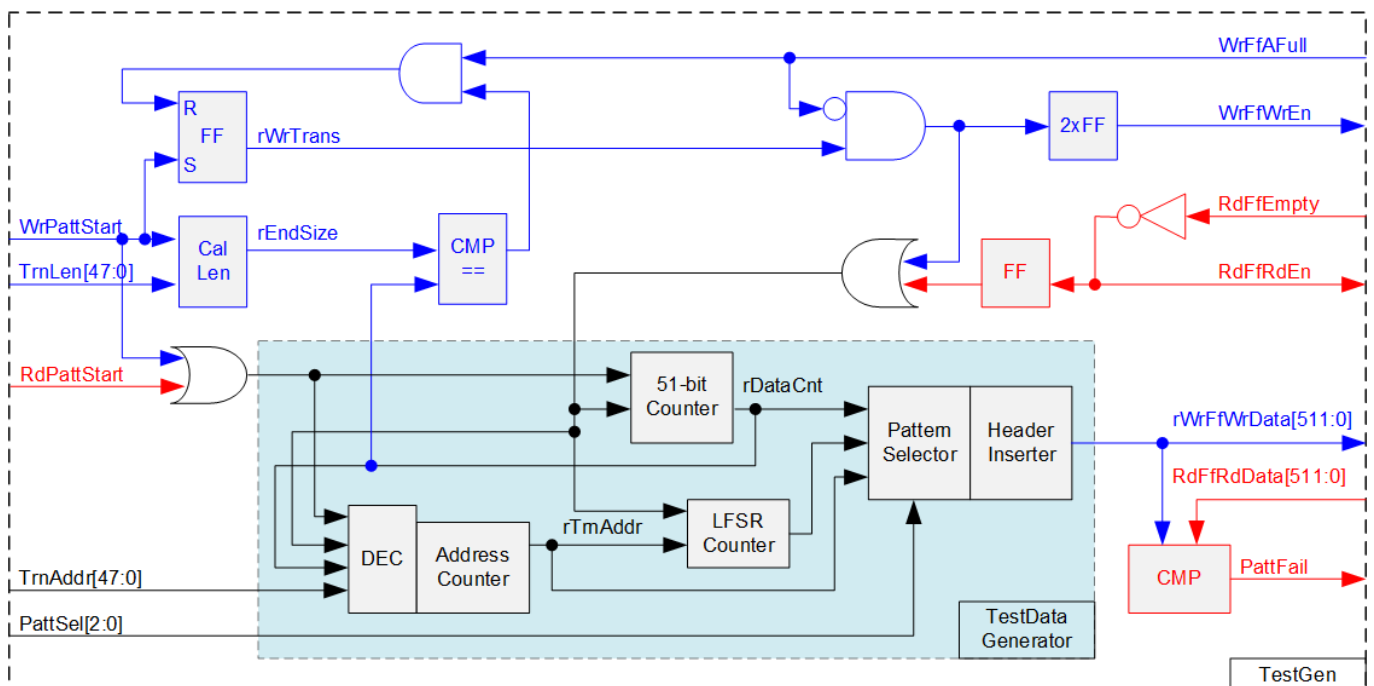


Figure 2-3 TestGen hardware

As shown in the right side of Figure 2-3, flow control signals of FIFO are WrFfAFull and RdFfEmpty. When FIFO is almost full during write operation (WrFfAFull='1'), WrFfWrEn is de-asserted to '0' to pause data sending to FIFO. For read operation, when FIFO has data (RdFfEmpty='0'), the logic reads data from FIFO to compare with the expected data by asserting RdFfRdEn to '1'.

The logic in the left side of Figure 2-3 is designed to count transfer size (rDataCnt). When total data count is equal to the end size (rEndSize), set by user, write enable or read enable of FIFO is de-asserted to '0'.

The lower side of Figure 2-3 shows the details to generate test data for writing to FIFO or verifying data from FIFO. There are five patterns to generate, i.e. all zero, all one, 32-bit incremental pattern, 32-bit decremental pattern, and LFSR counter, selected by Pattern Selector. The 32-bit incremental data is designed by using 51-bit counter while the decremental data is designed by connecting NOT logic to incremental data. The LFSR pattern is designed by using LFSR counter. The equation of LFSR is $x^{31} + x^{21} + x + 1$.

To implement 512-bit LFSR pattern, the data is split to be four sets of 128-bit data which uses the different start value. 128-bit data uses look-ahead technique to calculate four 32-bit LFSR data in one clock cycle. As shown Figure 2-4, start value of each LFSR set are designed by using combination signal of 32-bit LBA address and NOT logic of LBA address (LBAAddrB means NOT logic of LBAAddr signal).

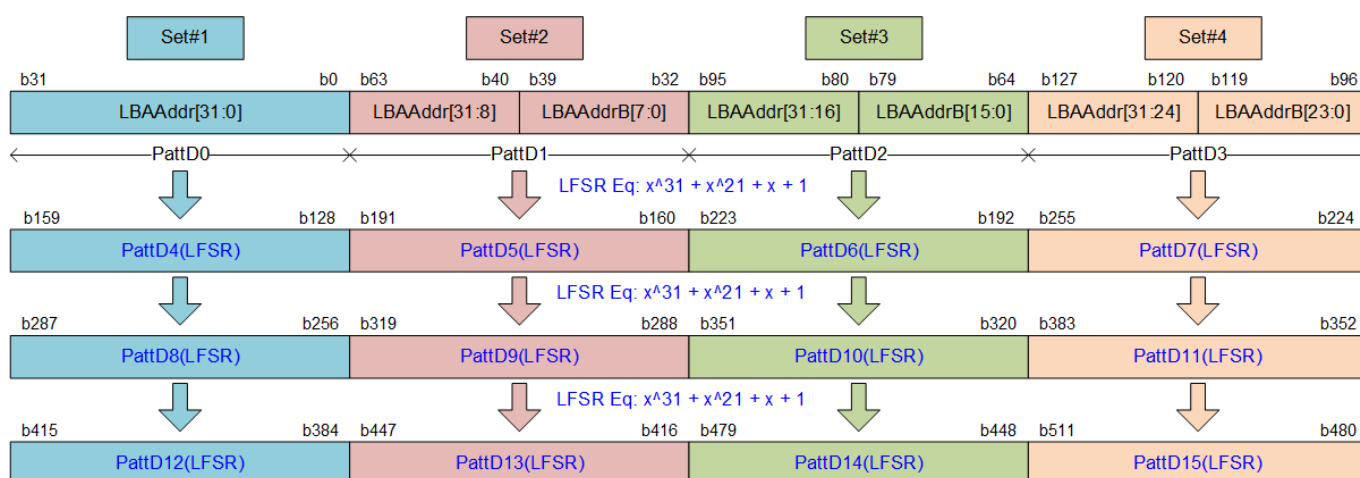


Figure 2-4 512-bit LFSR Pattern in TestGen

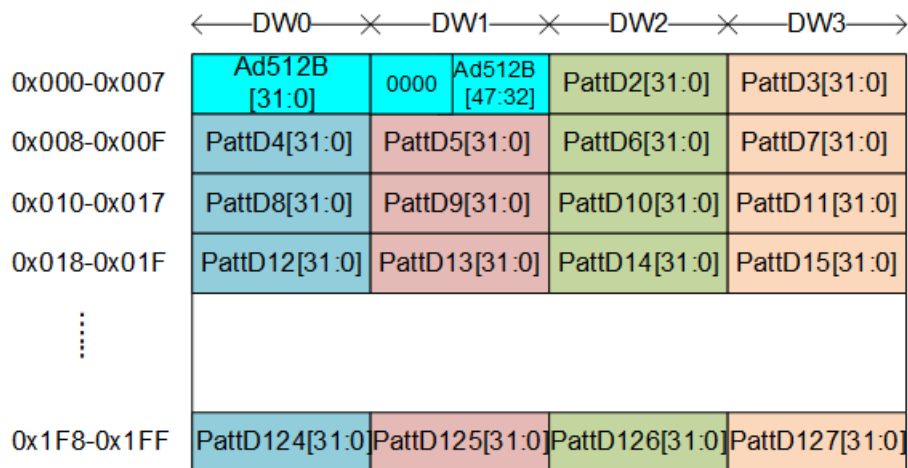


Figure 2-5 Test pattern format in each 512-byte data for Increment/Decrement/LFSR pattern

When creating all zero or all one pattern, every bit of data is fixed zero or one respectively. While other patterns are designed by separating the data as two parts to create unique test data in every 512-byte data. As shown in Figure 2-5, Dword#0 and Dword#1 of every 512-byte data are replaced by 64-bit header while other words still use the test data (Dword#2 – Dword#127).

64-bit header is created by using the address in 512-byte unit (rTrnAddr), output from the Address counter. The address counter loads the start value from user (TrnAddr) and then increases the value after finishing 512-byte data transferring.

Test data is fed to be write data to the FIFO or the expected data for verifying with the read data from FIFO. Fail flag is asserted to '1' when data verification is failed. The example of timing diagram to write data to FIFO is shown as follows.

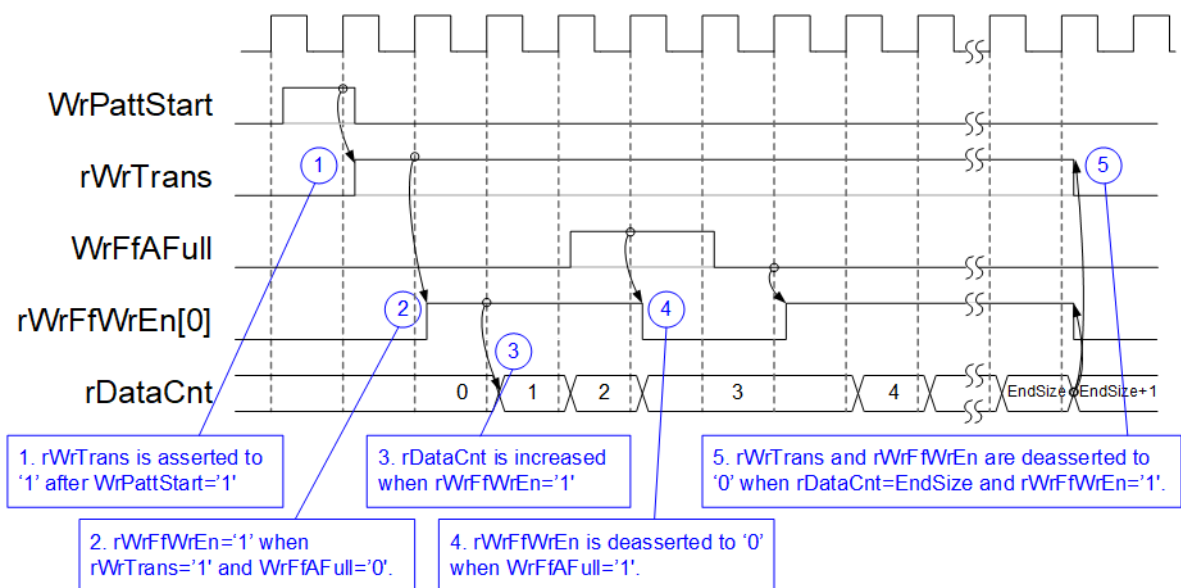


Figure 2-6 Timing diagram of Write operation in TestGen

- 1) WrPattStart is asserted to '1' for one clock cycle when user sets the register to start write operation. In the next clock, rWrTrans is asserted to '1' to enable the control logic for generating write enable to FIFO.
- 2) Write enable to FIFO (rWrFfWrEn) is asserted to '1' when two conditions are met. First, rWrTrans must be asserted to '1' during the write operation being active. Second, the FIFO must not be full by monitoring WrFfAFull='0'.
- 3) The write enable is also applied to be counter enable for counting total data (rDataCnt) in the write operation.
- 4) When FIFO is almost full (WrFfAFull='1'), the write process is paused by de-asserting rWrFfWrEn to '0'.
- 5) When total data count is equal to the set value, rWrTrans is de-asserted to '0'. At the same time, rWrFfWrEn is also de-asserted to '0' to stop generating test data.

When running read operation, read enable of FIFO is only controlled by empty flag of FIFO. Data is read when FIFO has the data. It does not wait start flag for beginning the read operation and also not monitor total count for stopping the read operation. When the read enable is asserted to '1', the address counter is increased for generating the header of expect value and for checking total read data in read operation.

2.2 NVMeG3Raid0x4 IP

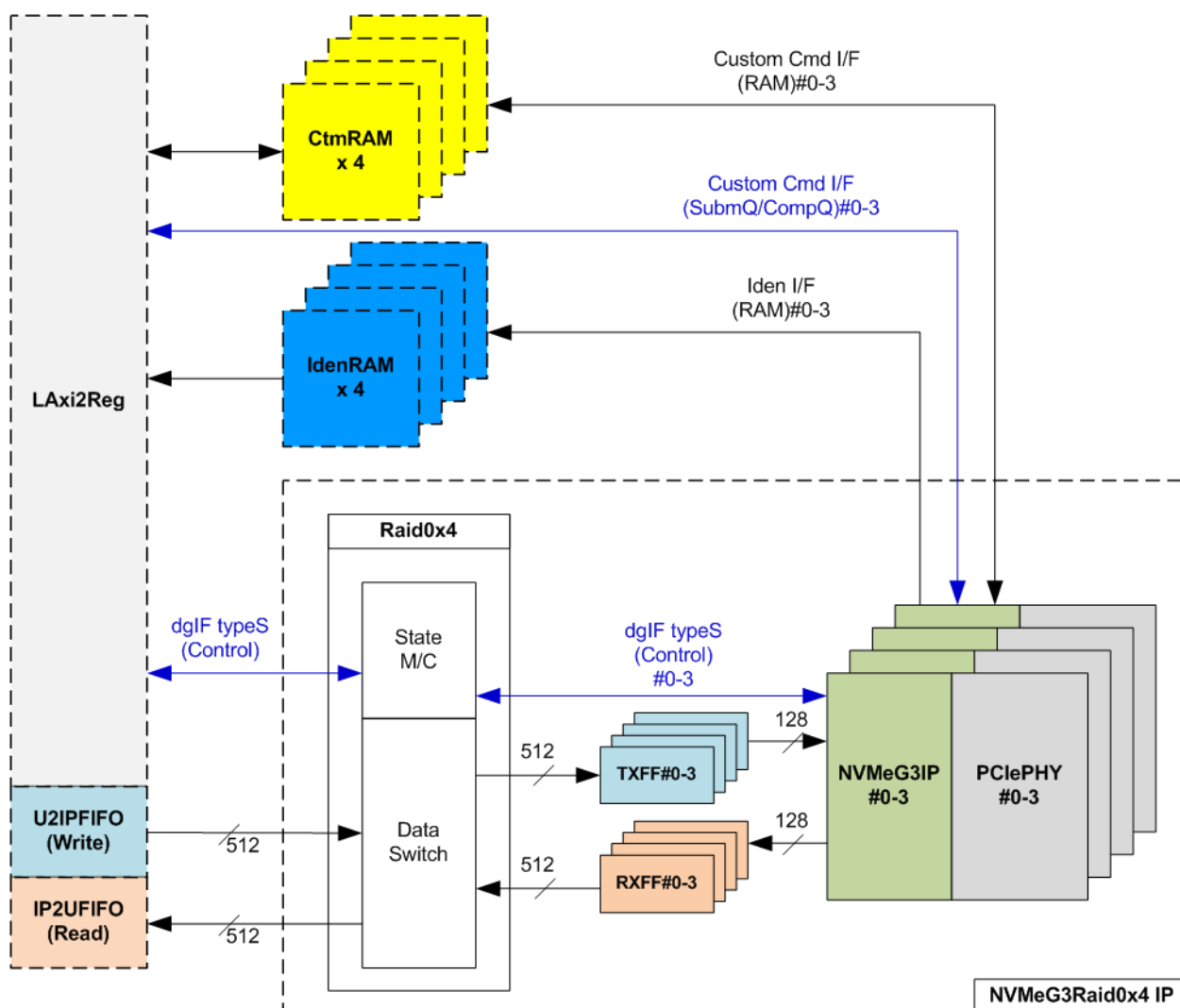


Figure 2-7 NVMeG3Raid0x4 IP hardware

Figure 2-7 shows the example to interface NVMeG3Raid0x4 IP in the reference design. The user interface of NVMeG3Raid0x4 IP consists of control interface and data interface. The control interface receives the command parameters through dgIF typeS or custom command interface, depending on the command. Custom command interface is applied when the command is SMART command or Flush command. Otherwise, dgIF typeS is applied.

The data interface of NVMeG3Raid0x4 IP has four signal groups, i.e. FIFO input interface (dgIF types), FIFO output interface (dgIF types), custom command RAM interface, and Identify interface. Data bus width of FIFO interface is 512-bit while others are 128-bit. The custom command RAM interface is bi-directional interface while others are one directional interface. In the reference design, the custom command RAM interface is used to transfer data of SMART command from NVMeG3Raid0x4 IP to LAXi2Reg only. Another direction is not used.

2.2.1 NVMeG3-IP

NVMeG3-IP implements NVMe protocol of the host side to access one NVMe Gen 3 SSD directly without PCIe switch connection. NVMeG3-IP supports six commands, i.e. Write, Read, Identify, Shutdown, SMART, and Flush. NVMeG3-IP is designed to directly connect with the PCIe PHY IP. More details of the NVMeG3-IP are described in the datasheet.

http://www.dgway.com/products/IP/NVMe-IP/dg_nvme3_ip_data_sheet_en.pdf

2.2.2 PCIe PHY IP

This block is the hard IP in Xilinx device which implements Physical Layers of PCIe specification. More details are described in Xilinx document.

PG239: PCI Express PHY

https://www.xilinx.com/support/documentation/ip_documentation/pcie_phy/v1_0/pg239-pcie-phy.pdf

2.2.3 Dual port RAM

Two dual port RAM are implemented in the reference design to store data from Identify command and SMART command. The data size of Identify command is 8Kbyte, so IdenRAM size is 8Kbyte. NVMeG3-IP and LAXi2Reg have different data bus size because the data interface of NVMeG3-IP is 128-bit while the interface of LAXi2Reg is 32-bit. IdenRAM must set the different bus size for interface with NVMeG3-IP and LAXi2Reg.

Moreover, NVMeG3-IP has double word enable to write only 32-bit data instead of all 128-bit in one clock cycle under some conditions. The RAM setting on Xilinx IP tool supports the write byte enable. The small logic to convert double word enable to be write byte enable is designed as shown in Figure 2-8.

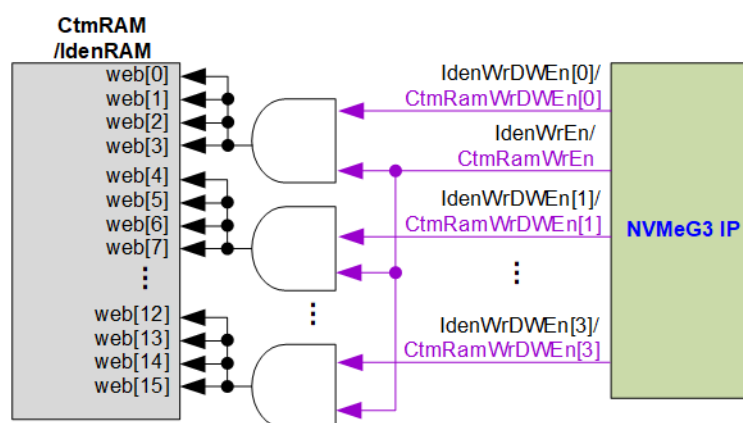


Figure 2-8 Byte write enable conversion logic

To convert double word enable to be byte enable, Bit[0] of WrDWE_n and WrEn signal are the inputs to AND logic and generate the output to bit[3:0] of IdenRAM byte write enable. Bit[1] of WrDWE_n is applied to generate bit[7:4] of IdenRAM write byte enable, and so on.

Similar to IdenRAM, CtmRAM is implemented by true dual-port RAM with byte write enable. The small logic to convert double word enable of custom interface to be byte write enable is applied as shown in Figure 2-8. CtmRAM uses true dual-port RAM, not simple dual port RAM for supporting additional custom command which has the reverse data direction in the future. For SMART command, the simple dual port RAM like IdenRAM can be applied because data is only transferred from NVMeG3-IP to LAXi2Reg. The data size of SMART command is 512-byte.

2.2.4 FIFO

Two FIFOs are applied for one NVMeG3-IP. TxFIFO is designed to convert 512-bit data which is Raid0x4 bus size to 128-bit data which is NVMeG3-IP bus size. FIFO size is 32 kByte, so it can store up to 63x512-byte data. RxFIFO size is similar to TxFIFO, but it converts data bus size from 128-bit to 512-bit.

2.2.5 RAID0x4

RAID0x4 consists of state machine and data switch for controlling control interface and data interface respectively.

After receiving new command request from LAXI2Reg, state machine calculates the address and transfer length of each NVMeG3-IP by decoding user parameter inputs. Next, state machine generates command request with the valid address and length to all NVMeG3-IPs. Also, state machine is responsible to control data switch for selecting the active NVMeG3-IP channel. State machine calculates the first NVMeG3-IP channel by loading the initial value from user inputs. The address is updated (increased by 1) after finishing 512-byte data transferring with U2IPFIFO/IP2UFIFO. Bit0 of current address is used to select NVMeG3 channel, i.e. "00" for NVMeG3-IP#0, "01" for NVMeG3-IP#1, "10" for NVMeG3-IP#2, and "11" for NVMeG3-IP#3.

There are many pipeline registers to switch data bus. The overhead time from pipeline register in data path is more than or equal to 1 clock cycle for transferring 512-byte data (8x512-bit) continuously or 1 about 11% ($1 / (8+1) = 11\%$). To compensate the overhead time, clock frequency of Raid0x4 must be set to 11% higher than NVMeG3 based clock (250 MHz is PCIe Clock frequency for Gen3 speed), so clock should be set at least 277.5 MHz. In the reference design, 280 MHz is applied to achieve the maximum performance for write and read command. As a result, write or read performance of RAID0 operation is almost equal to four times of one NVMe SSD.

The user interface of RAID0x4 is shown in Table 2-1. Control and data interface are designed as dgIF typeS format. Please see more details of dgIF types format from NVMeG3-IP datasheet.

Table 2-1 Signal description of Raid0x4 (only User interface)

Signal	Dir	Description
User Interface		
RstB	In	Synchronous reset signal. Active low. De-assert to '1' when Clk signal is stable
Clk	In	System clock for running NVMeRaid0x4 IP and NVMeG3-IP. The frequency must be more than or equal to 277.5 MHz for PCIe Gen3 to achieve the best performance. The minimum requirement of Clk signal is the same as NVMeG3-IP (more than or equal to 250 MHz).
dgIF types		
UserCmd[1:0]	In	User Command ("000": Identify, "001": Shutdown, "010": Write RAID, "011": Read RAID, "100": SMART, "110": Flush, "101"/"111": Reserved)
UserAddr[47:0]	In	Start address to write or read RAID in 512-byte unit. It is recommended to set UserAddr[4:0]="00000" to align 16 Kbyte (one SSD page size is 4 Kbyte, so 16 Kbyte is applied for four SSDs). In addition, write and read performance of SSDs may be reduced from unaligned address issue.
UserLen[47:0]	In	Total transfer size to write/read SSD in 512 byte unit. Valid from 1 to (LBASize-UserAddr).
UserReq	In	Assert to '1' to send the new command request. This signal can be asserted to '1' when the IP is Idle (UserBusy='0'). Command parameter (UserCmd, UserAddr, UserLen, and CtmSubmDW0-DW15) must be valid and stable during UserReq='1'. UserAddr and UserLen are inputs for Write/Read command while CtmSubmDW0-DW15 are inputs for SMART/Flush command.
UserBusy	Out	Assert to '1' when IP is busy. New request must not be sent (UserReq to '1') when IP is still busy (UserBusy='1').
LBASize[47:0]	Out	Total capacity of four SSDs in 512 byte unit. This value is valid after finishing Identify command. So, Identify command must be firstly run before other commands to update LBASize value. Default value after boot up is 0.
LBAMode	Out	LBA unit size of SSD. This signal is valid after finishing Identify command. So, Identify command must be firstly run before other commands to update LBAMode value. Default value is 0. '0': LBA size = 512 byte, '1': LBA size = 4 Kbyte. RAID0 IP currently does not support LBA size = 4 Kbyte.
UserError	Out	Error flag. Assert to '1' when some bits of UserErrorType are not equal to 0. The flag can be cleared to '0' by asserting RstB to '0'.
UserErrorType[0-3][31:0]	Out	Error status, directly mapped from UserErrorType in each NVMeG3-IP. [0]-IP#0, [1]-IP#1, [2]-IP#2, and [3]-IP#3.
UserFifoWrCnt[15:0]	In	Write data counter of User received FIFO. Used to check FIFO free size. When data counter size of FIFO is less than 16-bit, please fill '1' to upper bit.
UserFifoWrEn	Out	Assert to '1' to write data to Received FIFO during running Read command.
UserFifoWrData[511:0]	Out	Write data bus of Received FIFO. Valid when UserFifoWrEn='1'.
UserFifoRdCnt[15:0]	In	Read data counter of User transmit FIFO. Used to check total data in FIFO. When data counter size of FIFO is less than 16-bit, please fill '0' to upper bit.
UserFifoEmpty	In	The signal is unused for this IP.
UserFifoRdEn	Out	Assert to '1' to read data from Transmit FIFO during running Write command.
UserFifoRdData[511:0]	In	Read data returned from User transmit FIFO. Valid in the next clock after UserFifoRdEn is asserted to '1'.

Data interface timing diagram of RAID0x4 module is shown as follows.

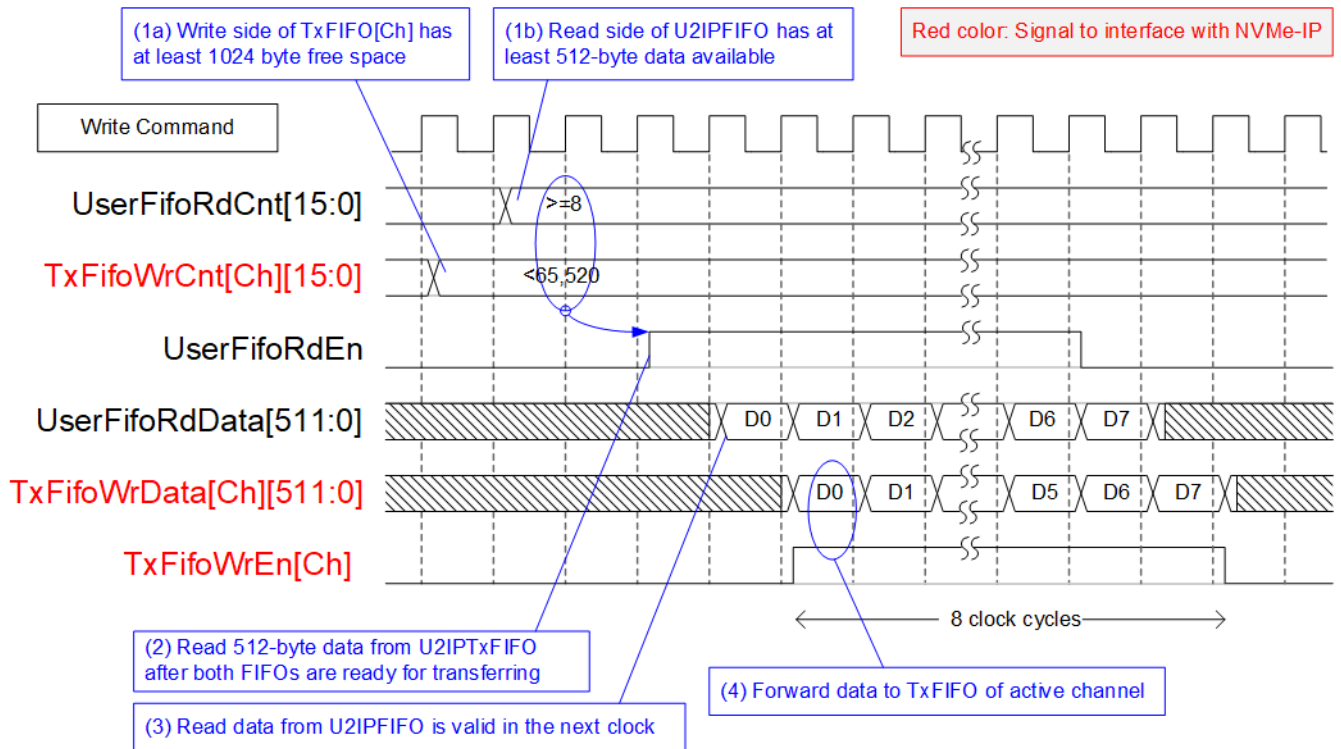


Figure 2-9 RAID0x4 data interface timing diagram in Write command

When user sends Write command to RAID0, data is forwarded from U2IPFIFO to TxFIFO[0]-[3]. One TxFIFO is active to transfer 512-byte data at a time. After that, the active NVMe channel is switched to the next channel for transferring the next transferring, following RAID0 behavior.

- (1) Before forwarding 512-byte data, UserFifoRdCnt and TxFifoWrCnt of the active channel are monitored to confirm that at least 512-byte data is stored in U2IPFIFO and TxFIFO of active channel has at least 1024 byte free space.
- (2) After FIFO is ready, UserFifoRdEn is asserted to '1' for 8 clock cycles to transfer 512-byte data continuously.
- (3) Read data is returned from UserFIFO in the next clock after asserting UserFifoRdEn to '1'.
- (4) Data is forwarded to TxFIFO in the next clock by asserting TxFifoWrEn to '1' with the valid write data.

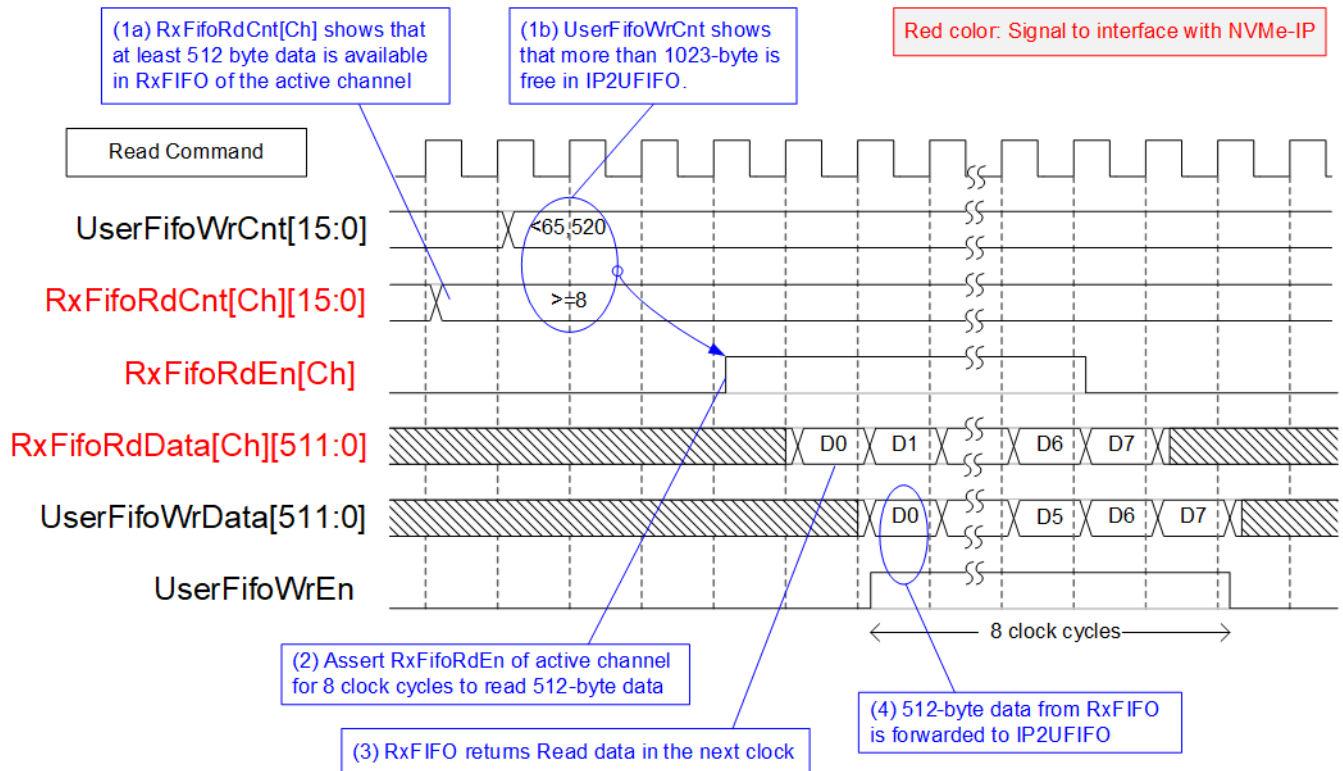


Figure 2-10 RAID0x4 data interface timing diagram in Read command

- When user sends Read command to RAID0, data is forwarded from Rx FIFO[0]-[3] to IP2UFIFO. Similar to Write command, one Rx FIFO is active to transfer 512-byte at a time. The active channel is switched to the next channel after finishing 512-byte data transferring.
- (1) Before forwarding data, UserFifoWrCnt and RxFifoRdCnt of the active channel are monitored to confirm that at least 512-byte data is available in Rx FIFO and IP2UFIFO has more than 1023-byte free space.
 - (2) RxFifoRdEn is asserted to '1' for 8 clock cycles to read 512-byte data continuously.
 - (3) In the next clock, read data returned from Rx FIFO is valid.
 - (4) Next, UserFifoWrEn is asserted to '1' to store 512-byte data continuously.

2.3 CPU and Peripherals

32-bit AXI4-Lite bus is the bus interface for CPU accessing the peripherals such as Timer and UART. To control and monitor the test system, the control and status signals are connected to register for CPU access as a peripheral through 32-bit AXI4-Lite bus. CPU assigns the different base address and the address range for each peripheral.

In the reference design, the CPU system is built with one additional peripheral to access the test logic. The base address and the range for accessing the test logic are defined in the CPU system. So, the hardware logic must be designed to support AXI4-Lite bus standard for writing and reading the register. LAXi2Reg module is designed to connect the CPU system as shown in Figure 2-11.

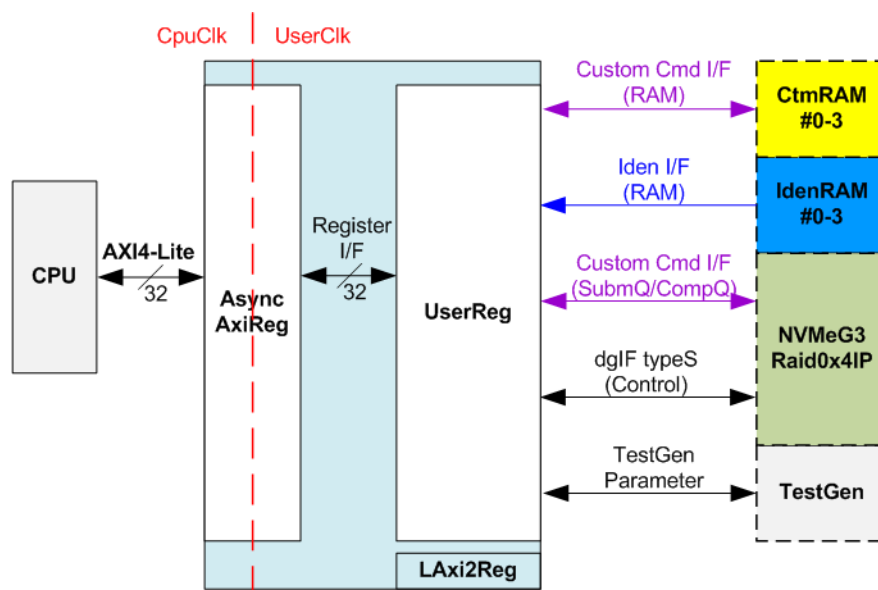


Figure 2-11 CPU and peripherals hardware

LAXi2Reg consists of AsyncAxiReg and UserReg. AsyncAxiReg is designed to convert the AXI4-Lite signals to be the simple register interface which has 32-bit data bus size, similar to AXI4-Lite data bus size. Additionally, AsyncAxiReg includes asynchronous logic to support clock crossing between CpuClk domain and UserClk domain.

UserReg includes the register file of the parameters and the status signals to control the other modules, i.e. CtmRAM, IdenRAM, RAID0x4, and TestGen. More details of AsyncAxiReg and UserReg are described as follows.

2.3.1 AsyncAxiReg

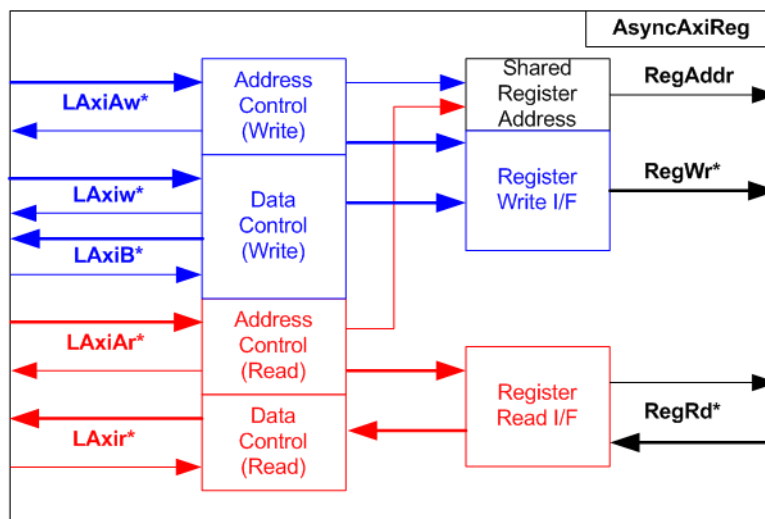


Figure 2-12 AsyncAxiReg Interface

The signal on AXI4-Lite bus interface can be split into five groups, i.e. LAXiAw* (Write address channel), LAXiw* (Write data channel), LAXiB* (Write response channel), LAXiAr* (Read address channel), and LAXir* (Read data channel). More details to build custom logic for AXI4-Lite bus is described in following document.

https://forums.xilinx.com/xlnx/attachments/xlnx/NewUser/34911/1/designing_a_custom_axi_slave_rev1.pdf

According to AXI4-Lite standard, the write channel and the read channel are controlled separately. Also, the control and data interface of each channel are run independently. So, the logic inside AsyncAxiReg to interface with AXI4-Lite bus is split into four groups, i.e. Write control logic, Write data logic, Read control logic, and Read data logic as shown in the left side of Figure 2-12. Write control I/F and Write data I/F of AXI4-Lite bus are latched and transferred to be Write register interface using the shared register address. For read access, Read control I/F and Read data I/F of AXI4-Lite bus are latched and transferred to be Read register interface using the shared register address.

The simple register interface is compatible to general RAM interface for write transaction. The read transaction of the register interface is slightly modified from RAM interface by adding RdReq and RdValid signal to control read timing. The address of register interface is shared for write and read transaction. So, user cannot write and read the register at the same time. The timing diagram of the register interface is shown in Figure 2-13.

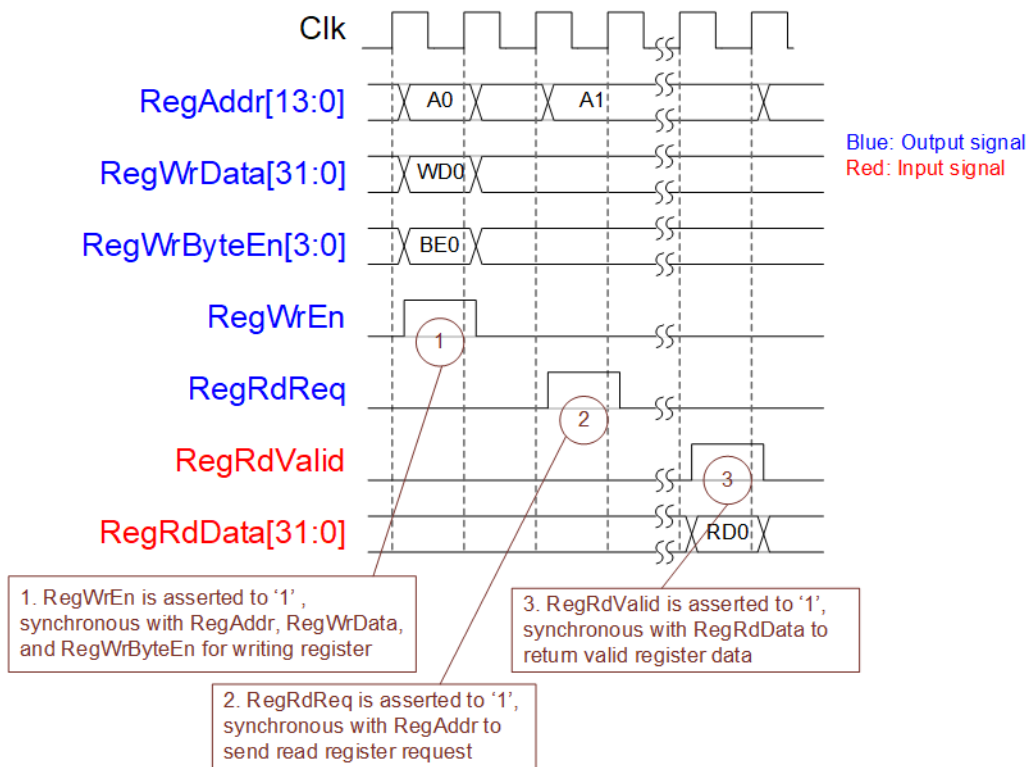


Figure 2-13 Register interface timing diagram

- 1) To write register, the timing diagram is the same as general RAM interface. RegWrEn is asserted to '1' with the valid RegAddr (Register address in 32-bit unit), RegWrData (write data of the register), and RegWrByteEn (the write byte enable). Byte enable has four bits to be the byte data valid, i.e. bit[0] for RegWrData[7:0], bit[1] for RegWrData[15:8], and so on.
- 2) To read register, AsyncAxiReg asserts RegRdReq to '1' with the valid RegAddr. 32-bit read data must be returned after receiving the read request. The slave must always monitor RegRdReq signal.
- 3) When the read data is returned on RegRdData bus, the slave asserts RegRdValid to '1'. After that, AsyncAxiReg forwards the read value to LAxir* interface.

2.3.2 UserReg

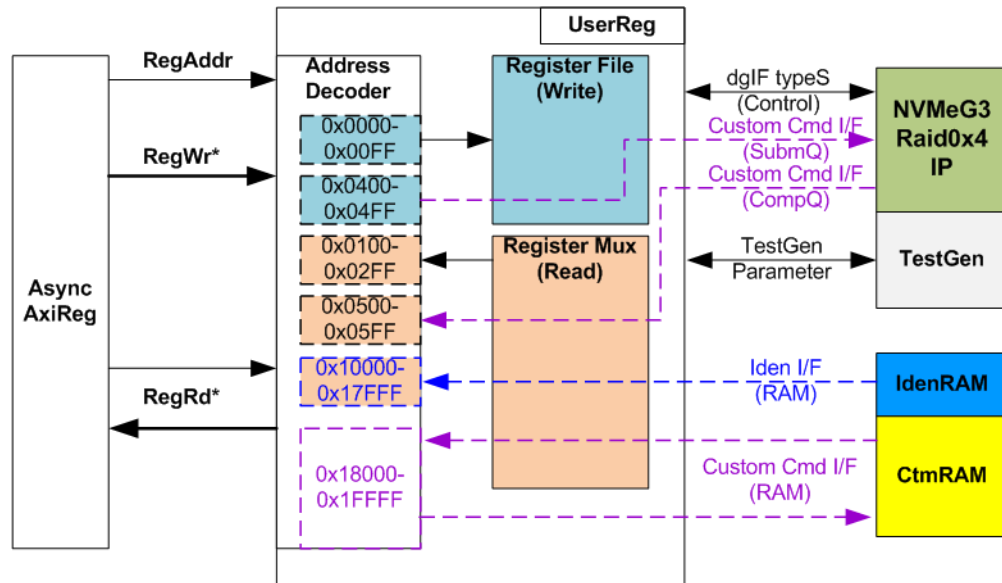


Figure 2-14 UserReg Interface

The address range to map to UserReg is split into six areas, as shown in Figure 2-14.

- 1) 0x0000 – 0x00FF: mapped to set the test parameters of NVMeG3Raid0x4 IP and TestGen. This area is write access only.
- 2) 0x0400 – 0x04FF: mapped to set the test parameters of custom command interface (NVMeG3Raid0x4 IP). This area is write access only.
- 3) 0x0100 – 0x02FF: mapped to read the status of NVMeG3Raid0x4 IP and TestGen. This area is read access only.
- 4) 0x0500 – 0x05FF: mapped to read the status of custom command interface (NVMeG3Raid0x4 IP). This area is read access only.
- 5) 0x10000 – 0x17FFF: mapped to read data from IdenRAM. This area is read access only.
- 6) 0x18000 – 0x1FFFF: mapped to custom command RAM interface (NVMeG3Raid0x4 IP). Although this area supports both write and read access, the demo shows only read access by running SMART command.

Address decoder decodes the upper bit of RegAddr for selecting the active hardware. The register file inside UserReg is 32-bit bus size, so write byte enable (RegWrByteEn) is not used. To set the parameters in the hardware, the CPU must use 32-bit pointer to force 32-bit valid value of the write data.

To read register, three-step multiplexers are designed to select the read data within each address area. The lower bit of RegAddr is applied in each Register area to return the data. Next, the address decoder uses the upper bit to select the read data from each area for returning to CPU. Totally, the latency of read data is equal to three clock cycles, so RegRdValid is created by RegRdReq with asserting three D Flip-flops.

More details of the address mapping within UserReg module is shown in Table 2-2.

Table 2-2 Register Map

Address Wr/Rd	Register Name (Label in "nvme3ipraid0x4test.c")	Description
0x0000 – 0x00FF: Control signals of NVMeG3Raid0x4 IP and TestGen (Write access only)		
BA+0x0000	User Address (Low) Reg (USRADRL_REG)	[31:0]: Input to be 32-bit lower start address in 512-byte unit (UserAddr[31:0] of dgIF typeS for RAID0)
BA+0x0004	User Address (High) Reg (USRADRH_REG)	[15:0]: Input to be 16-bit upper start address in 512-byte unit (UserAddr[47:32] of dgIF typeS for RAID0)
BA+0x0008	User Length (Low) Reg (USRLENL_REG)	[31:0]: Input to be 32-bit lower transfer length in 512-byte unit (UserLen[31:0] of dgIF typeS for RAID0)
BA+0x000C	User Length (High) Reg (USRLENH_REG)	[15:0]: Input to be 16-bit upper transfer length in 512-byte unit (UserLen[47:32] of dgIF typeS for RAID0)
BA+0x0010	User Command Reg (USRCMD_REG)	[2:0]: Input to be user command (UserCmd of dgIF typeS for RAID0) ("000": Identify, "001": Shutdown, "010": Write RAID, "011": Read RAID, "100": SMART, "110": Flush, "101"/"111": Reserved). When this register is written, new command request is sent to RAID0 for operating the new command.
BA+0x0014	Test Pattern Reg (PATSEL_REG)	[2:0]: Test pattern select "000"-Increment, "001"-Decrement, "010"-All 0, "011"-All 1, "100"-LFSR
BA+0x0020	NVMe Timeout Reg (NVMTIMEOUT_REG)	[31:0]: Input to be timeout value of NVMeG3-IP (TimeOutSet[31:0] of NVMeG3-IP)
0x0100 – 0x02FF: Status signals of NVMeG3Raid0x4 IP and TestGen (Read access only)		
BA+0x0100	User Status Reg (USRSTS_REG)	[0]: UserBusy of dgIF typeS for RAID0 ('0': Idle, '1': Busy) [1]: UserError of dgIF typeS for RAID0 ('0': Normal, '1': Error) [2]: Data verification fail ('0': Normal, '1': Error)
BA+0x0104	Total device size (Low) Reg (LBASIZEL_REG)	[31:0]: 32-bit lower total capacity of RAID0 in 512-byte unit (LBASize[31:0] of dgIF typeS for RAID0)
BA+0x0108	Total device size (High) Reg (LBASIZEH_REG)	[15:0]: 16-bit upper total capacity of RAID0 in 512-byte unit (LBASize[47:32] of dgIF typeS for RAID0)
(BA+0x0110)- (BA+0x011F)	User Error Type CH#0-#3 Reg (USRERRTYPE0-3_REG)	0x0110: NVMeG3-IP#0, 0x0114: NVMeG3-IP#1, 0x0118: NVMeG3-IP#2, 0x011C: NVMeG3-IP#3 [31:0]: Mapped to UserErrorType of NVMeG3-IP
(BA+0x0120)- (BA+0x012F)	PCIe Status CH#0-#3 Reg (PCIESTS0-3_REG)	0x0120: NVMeG3-IP#0, 0x0124: NVMeG3-IP#1, 0x0128: NVMeG3-IP#2, 0x012C: NVMeG3-IP#3 [7:0]: Unused for NVMeG3-IP [15:8]: MACStatus output from NVMeG3-IP
(BA+0x0130)- (BA+0x013F)	Completion Status CH#0-#3 Reg (COMPSTS0-3_REG)	0x0130: NVMeG3-IP#0, 0x0134: NVMeG3-IP#1, 0x0138: NVMeG3-IP#2, 0x013C: NVMeG3-IP#3 [15:0]: Status from Admin completion (AdmCompStatus[15:0] of NVMeG3-IP) [31:16]: Status from I/O completion (IOCompStatus[15:0] of NVMeG3-IP)
(BA+0x0140)- (BA+0x014F)	NVMe CAP CH#0-#3 Reg (NVMCAP0-3_REG)	0x0140: NVMeG3-IP#0, 0x0144: NVMeG3-IP#1, 0x0148: NVMeG3-IP#2, 0x014C: NVMeG3-IP#3 [31:0]: Mapped to NVMeCAPReg of NVMeG3-IP
(BA+0x0150)- (BA+0x015F)	NVMe IP Test pin CH#0-#3 Reg (NVMTESTPIN0-3_REG)	0x0150: NVMeG3-IP#0, 0x0154: NVMeG3-IP#1, 0x0158: NVMeG3-IP#2, 0x015C: NVMeG3-IP#3 [31:0]: TestPin output from NVMeG3-IP
(BA+0x0160)- (BA+0x016F)	MAC Test pin (Low) CH#0-#3 Reg (MACTESTPINL0-3_REG)	0x0160: NVMeG3-IP#0, 0x0164: NVMeG3-IP#1, 0x0168: NVMeG3-IP#2, 0x016C: NVMeG3-IP#3 [31:0]: MACTestPin[31:0] output from NVMeG3-IP
(BA+0x0170)- (BA+0x017F)	MAC Test pin (High) CH#0-#3 Reg (MACTESTPINH0-3_REG)	0x0170: NVMeG3-IP#0, 0x0174: NVMeG3-IP#1, 0x0178: NVMeG3-IP#2, 0x017C: NVMeG3-IP#3 [31:0]: MACTestPin[63:0] output from NVMeG3-IP

Address	Register Name	Description
Wr/Rd	(Label in "nvme3ipraid0x4test.c")	
0x0100 – 0x02FF: Status signals of NVMeG3Raid0x4 IP and TestGen (Read access only)		
BA+0x0200	Data Failure Address(Low) Reg (RDFAILNOL_REG)	[31:0]: Bit[31:0] of the byte address at the 1 st failure data
BA+0x0204	Data Failure Address(High) Reg (RDFAILNOH_REG)	[24:0]: Bit[56:32] of the byte address at the 1 st failure data
BA+0x0208	Current test byte (Low) Reg (CURTESTSIZEL_REG)	[31:0]: Bit[31:0] of the current test data size in TestGen module
BA+0x020C	Current test byte (High) Reg (CURTESTSIZEH_REG)	[24:0]: Bit[56:32] of the current test data size of TestGen module
(BA+0x0280)- (BA+0x02BF)	Expected value Word0-15 Reg (EXPPATW0-W15_REG)	0x280: Bit[31:0], 0x284: Bit[63:32], ..., 0x2BC: Bit[511:480] The expected data at the 1 st failure data successively.
(BA+0x02C0)- (BA+0x02FF)	Read value Word0-15 Reg (RDPATW0-W15_REG)	0x2C0: Bit[31:0], 0x2C4: Bit[63:32], ..., 0x2FC: Bit[511:480] The read data at the 1 st failure data successively.
0x0400 – 0x0FFF: Custom command of NVMeG3Raid0x4 IP		
(BA+0x0400)- (BA+0x04FF)	Custom Submission Queue CH#0-#3 Reg (CTMSUBMQ0-3_REG)	[31:0]: Submission queue entry of SMART and Flush command. Input to be CtmSubmDW0-DW15 of NVMeG3-IP#0-#3 successively. 0x400: DW0, 0x404: DW1, ..., 0x43C: DW15 of NVMeG3-IP#0 0x440: DW0, 0x444: DW1, ..., 0x47C: DW15 of NVMeG3-IP#1 0x480: DW0, 0x484: DW1, ..., 0x4BC: DW15 of NVMeG3-IP#2 0x4C0: DW0, 0x4C4: DW1, ..., 0x4FC: DW15 of NVMeG3-IP#3
Wr		
(BA+0x0500)- (BA+0x053F)	Custom Completion Queue CH#0-#3 Reg (CTMCOMPQ0-3_REG)	[31:0]: CtmCompDW0-DW3 output from NVMeG3-IP#0-#3 successively. 0x500: DW0, 0x504: DW1, ..., 0x50C: DW3 of NVMeG3-IP#0 0x510: DW0, 0x514: DW1, ..., 0x51C: DW3 of NVMeG3-IP#1 0x520: DW0, 0x514: DW1, ..., 0x52C: DW3 of NVMeG3-IP#2 0x530: DW0, 0x514: DW1, ..., 0x53C: DW3 of NVMeG3-IP#3
Rd		
BA+0x0800	IP Version Reg (IPVERSION_REG)	[31:0]: IP version number (IPVersion[31:0] of NVMeG3-IP)
Rd		
0x10000 – 0x1FFFF: Identify RAM and Custom RAM		
(BA+0x10000) – (BA+0x17FFF)	Identify Controller Data CH#0-#3 (IDENCTRL0-3_REG/ IDENNAME0-3_REG)	0x10000-0x11FFF: NVMeG3-IP#0, 0x12000-0x13FFF: NVMeG3-IP#1, 0x14000-0x15FFF: NVMeG3-IP#2, 0x16000-0x17FFF: NVMeG3-IP#3 0x10000-0x10FFF: 4Kbyte Identify controller data of NVMeG3-IP#0 0x11000-0x11FFF: 4Kbyte Identify namespace data of NVMeG3-IP#0
Rd		
(BA+0x18000) – (BA+0x1FFFF)	Custom command Ram CH#0-#3 (CTMRAM0-3_REG)	0x18000-0x19FFF: NVMeG3-IP#0, 0x1A000-0x1BFFF: NVMeG3-IP#1, 0x1C000-0x1DFFF: NVMeG3-IP#2, 0x1E000-0x1FFFF: NVMeG3-IP#3 8K byte CtmRAM interface of NVMeG3-IP#0-#3. Used to store 512-byte data output from SMART Command.
Wr/Rd		

3 CPU Firmware

3.1 Test firmware (nvme3ipraid0x4test.c)

After system boot-up, CPU runs following steps to finish the initialization process.

- 1) CPU initializes its peripherals such as UART and Timer.
- 2) CPU waits until NVMeG3Raid0x4 IP completes initialization process (USRSTS_REG[0]='0'). The error message is displayed and the process stops when some errors are found.
- 3) CPU checks LBA Size of NVMe SSDs. When LBA Size is 4k byte, the process stops and the error message is displayed.
- 4) CPU displays the main menu. There are six menus for running six commands with RAID0, i.e. Identify, Write, Read, SMART, Flush, and Shutdown.

More details of each command are described as follows.

3.1.1 Identify command

The step to operate Identify command is described as follows.

- 1) Set USRCMD_REG="000" to send Identify command to all NVMe SSDs. Command request is sent to NVMeG3Raid0x4 IP. After that, busy flag (USRSTS_REG[0]) changes from '0' to '1'.
- 2) CPU waits until the operation is completed or some errors are found by monitoring USRSTS_REG[1:0].
 - Bit[0] is de-asserted to '0' when command is completed. After that, the data from Identify command is stored to IdenRAM.
 - Bit[1] is asserted to '1' when some errors are detected. The error message is displayed on the console to show the error details (read from USRERRTYPE0-3_REG[31:0]). Finally, the process is stopped.
- 3) After busy flag (USRSTS_REG[0]) is de-asserted to '0', CPU decodes SSD model name from IdenRAM (IDENCTRL0-3_REG) and RAID capacity (LBASIZE_REG) from NVMeG3Raid0x4 IP output to display on the console.

3.1.2 Write/Read command

The step to operate Write/Read command is described as follows.

- 1) Receive input parameters from user through Serial console, i.e. start address, transfer length, and test pattern. When some inputs are invalid, the operation is cancelled.
- 2) Set the input parameters to hardware registers, i.e. USRADRL/H_REG, USRLENL/H_REG, and PATTSEL_REG.
- 3) Set USRCMD_REG[2:0]="010" for Write command or "011" for Read command. After that, the new command request is sent to NVMeG3Raid0x4 IP for running Write or Read command. Busy flag (USRSTS_REG[0]) changes from '0' to '1'.
- 4) CPU waits until the operation is completed or some errors (except verification error) are found by monitoring USRSTS_REG[2:0].
 - Bit[0] is de-asserted to '0' when command is completed.
 - Bit[1] is asserted to '1' when some errors are detected. The error message is displayed on the console to show the error details and the process is stopped.
 - Bit[2] is asserted to '1' when data verification is failed. The verification error message is displayed on the console to show the error details. In this condition, CPU is still running until the operation is done or user presses any key(s) to cancel operation.

When the operation does not finish, current transfer size read from CURTESTSIZE_REG is displayed every second.
- 5) After busy flag (USRSTS_REG[0]) is de-asserted to '0', CPU calculates and displays the test result on the console, i.e. total time usage, total transfer size, and transfer speed.

3.1.3 SMART Command,

The step to operate SMART command is described as follows.

- 1) Set 16 Dwords of Submission queue entry (CTMSUBMQ0-3_REG) to be SMART command value.
- 2) Set USRCMD_REG[2:0]="100" to send SMART command to all NVMe SSDs. Command request is sent to NVMeG3Raid0x4 IP. After that, busy flag (USRSTS_REG[0]) changes from '0' to '1'.
- 3) CPU waits until the operation is completed or some errors are found by monitoring USRSTS_REG[1:0].
 - Bit[0] is de-asserted to '0' when command is completed. After that, the data from SMART command is stored to CtmRAM.
 - Bit[1] is asserted to '1' when some errors are detected. The error message is displayed on the console to show the error details (read from USRERRTYPE0-3_REG[31:0]). Finally, the process is stopped.
- 4) After busy flag (USRSTS_REG[0]) is de-asserted to '0', CPU decodes SMART command information from CtmRAM (CTMRAM0-3_REG), i.e. Temperature, Total Data Read, Total Data Written, Power On Cycles, Power On Hours, and Number of Unsafe Shutdown.

More details of SMART log are described in NVM Express Specification.

<https://nvmexpress.org/resources/specifications/>

3.1.4 Flush Command

The step to operate Flush command is described as follows.

- 1) Set 16 Dwords of Submission queue entry (CTMSUBMQ0-3_REG) to be Flush command value.
- 2) Set USRCMD_REG[2:0]="110" to send Flush command to all NVMe SSDs. Command request is sent to NVMeG3Raid0x4 IP. After that, busy flag (USRSTS_REG[0]) changes from '0' to '1'.
- 3) CPU waits until the operation is completed or some errors are found by monitoring USRSTS_REG[1:0].
 - Bit[0] is de-asserted to '0' when command is completed. After that, CPU goes back to the main menu.
 - Bit[1] is asserted to '1' when some errors are detected. The error message is displayed on the console to show the error details (read from USRERRTYPE0-3_REG[31:0]). Finally, the process is stopped.

3.1.5 Shutdown Command

The step to operate Shutdown command is described as follows.

- 1) Set USRCMD_REG[2:0]="001" to send Shutdown command to all NVMe SSDs. Command request is sent to NVMeG3Raid0x4 IP. After that, busy flag (USRSTS_REG[0]) changes from '0' to '1'.
- 2) CPU waits until the operation is completed or some errors are found by monitoring USRSTS_REG[1:0].
 - Bit[0] is de-asserted to '0' when command is completed.
 - Bit[1] is asserted to '1' when some errors are detected. The error message is displayed on the console to show the error details (read from USRERRTYPE0-3_REG[31:0]). Finally, the process is stopped.
- 3) After busy flag (USRSTS_REG[0]) is de-asserted to '0', all SSDs change to inactive status. All NVMeG3-IPs change to inactive state and the CPU cannot receive new command from user. The user must power off the test system.

3.2 Function list in Test firmware

int exec_ctm(unsigned int user_cmd)	
Parameters	user_cmd: 4-SMART command, 6-Flush command
Return value	0: No error, -1: Some errors are found in the NVMeG3-IP
Description	Run SMART command or Flush command, following in topic 3.1.3 (SMART Command,) and 3.1.4 (Flush Command).

int flush_ctmnvm(void)	
Parameters	None
Return value	0: No error, -1: Some errors are found in the NVMeG3-IP
Description	Set Flush command to CTMSUBMQ0-3_REG and call exec_ctm function to start Flush command.

unsigned long long get_cursize(void)	
Parameters	None
Return value	Read value of CURTESTSIZEH/L_REG
Description	Read CURTESTSIZEH/L_REG and return read value as function result.

int get_param(userin_struct* userin)	
Parameters	userin: Three inputs from user, i.e. start address, total length in 512-byte unit, and test pattern
Return value	0: Valid input, -1: Invalid input
Description	Receive the input parameters from the user and verify the value. When the input is invalid, the function returns -1. Otherwise, all inputs are updated to userin parameter.

void iden_dev(void)	
Parameters	None
Return value	None
Description	Run Identify command, following in topic 3.1.1 (Identify command).

void shutdown_dev(void)	
Parameters	None
Return value	None
Description	Run Shutdown command, following in topic 3.1.5 (Shutdown Command)

void show_error(void)	
Parameters	None
Return value	None
Description	Read USRRERTYPE0-3_REG, decode the error flag, and display error message following the error flag of each channel.

void show_pciestat(void)	
Parameters	None
Return value	None
Description	Read PCIESTS0-3_REG until the read value from two read times is stable. After that, display the read value on the console.

void show_result(void)	
Parameters	None
Return value	None
Description	Read CURTESTSIZE/L/H_REG to display total transfer size. Read the global parameters (timer_val and timer_upper_val) and calculate total time usage to display in usec, msec, or sec unit. Finally, transfer performance is calculated and displayed on MB/s unit.

void show_size(unsigned long long size_input)	
Parameters	size_input: transfer size to display on the console
Return value	None
Description	Calculate and display the input value in MByte, GByte, or TByte unit

void show_smart_hex(unsigned char *char_ptr16B)	
Parameters	*char_ptr16B
Return value	None
Description	Display SMART data as hexadecimal unit.

void show_smart_raw(unsigned char *char_ptr16B)	
Parameters	*char_ptr16B
Return value	None
Description	Display SMART data as decimal unit when the input value is less than 4 MB. Otherwise, display overflow message.

void show_smart_unit(unsigned char *char_ptr16B)	
Parameters	*char_ptr16B
Return value	None
Description	Display SMART data as GB or TB unit. When the input value is more than limit (500 PB), overflow message is displayed instead.

void show_vererr(void)	
Parameters	None
Return value	None
Description	Read RDFAILNOL/H_REG (error byte address), EXPPATW0-W15_REG (expected value), and RDPATW0-W15_REG (read value) to display verification error details on the console.

int smart_ctmadm(void)	
Parameters	None
Return value	0: No error, -1: Some errors are found in the NVMeG3-IP
Description	Set SMART command to CTMSUBMQ0-3_REG and call exec_ctm function to start SMART command. Finally, decode and display SMART information on the console

int wrdd_dev(unsigned int user_cmd)	
Parameters	user_cmd: 2-Write command, 3-Read command
Return value	0: No error, -1: Receive invalid input or some errors are found.
Description	Run Write command or Read command, following in topic 3.1.2 (Write/Read command)

4 Example Test Result

The example test result when running RAID0 demo system by using two 512 GB Samsung 960 Pro SSDs and two 512 GB Samsung 970 Pro SSDs is shown in Figure 4-1.

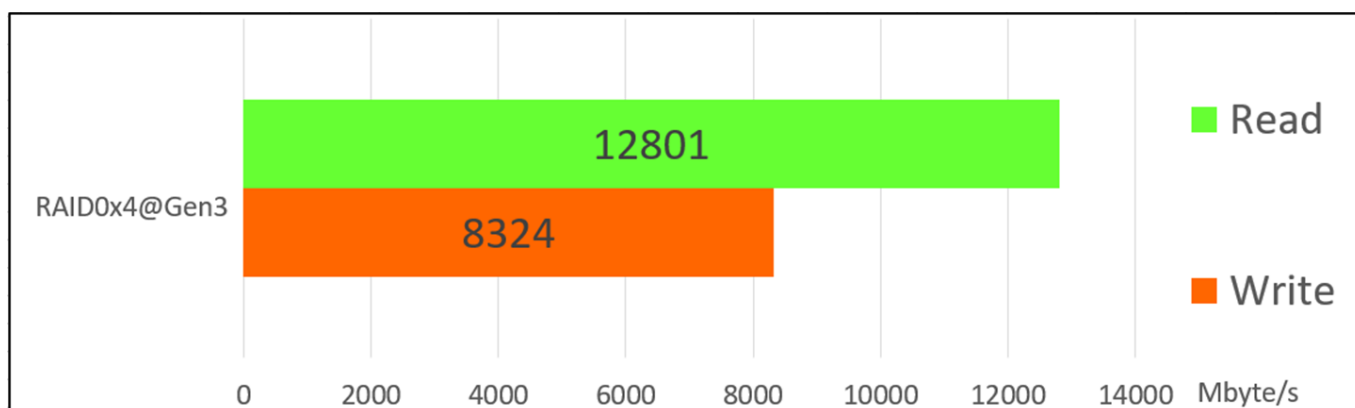


Figure 4-1 Performance of 4-ch RAID0 demo by using Samsung Pro 960/970 SSD

When running 4-ch RAID0 with 4 SSDs@Gen3 speed, write performance is about 8300 Mbyte/sec and read performance is about 12800 Mbyte/sec.



5 Revision History

Revision	Date	Description
1.0	17-Feb-20	Initial version release

Copyright: 2020 Design Gateway Co.,Ltd.