

USB 3.0 IP

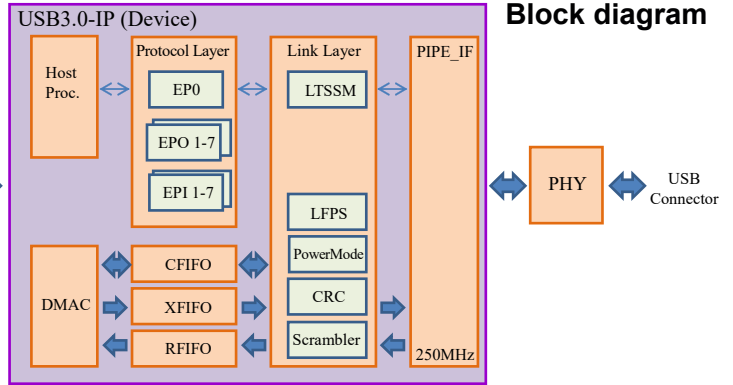
Universal Serial Bus 3.0
 Host & Device Controller IP Core

Easy to apply to FAT32 Data Recorder System!!

USB3.0 IP core compliants with the USB 3.0 specification Revision1.0. This IP core provides link layer and protocol layer. Physical layer interfaces to PHY chip by TI. Mass storage class reference design for Xilinx® FPGA board is included in the IP core license. You can start your development from the design step by step and shorten development time and reduce the cost.



USB3.0-IP Evaluation on SP605 with AB07-USB3FMC



Features



Line up both Host & Device



Ready to start Dev. on real board!!

Provide reference design for Xilinx® FPGA boards

Host IP FAT32 File access demo

Reference Designs for practical applications

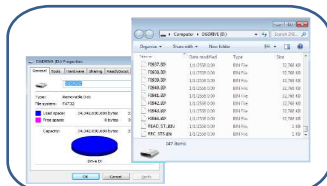
Device IP FAT32 Data recording demo

Compliant with USB 3.0 5Gbps

Support All transmission taps

Reference Designs are available for practical applications

FAT32 Data recording Design for USB3.0 Device IP core

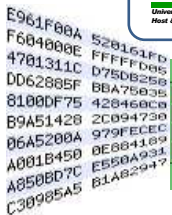


PC recognizes USB device as FAT32 external storage without any driver for Windows or Linux!!



Able to shorten development time for high-speed data recording/analysis system!!

No risk to back to rebuild, able to develop for short term!



FPGA records data and transfers it through USB3.0. At PC side, it is recognized as FAT32 files.

Product Line up

| IP core | |
|--------------|--|
| USB3D-IP-SP6 | Host IP. 1 project Netlist License for Spartan®6 |
| USB3D-IP-VT6 | Host IP. 1 project Netlist License for Virtex®6 |
| USB3D-IP-KT7 | Host IP. 1 project Netlist License for Kintex®7 |
| USB3D-IP-VT7 | Host IP. 1 project Netlist License for Virtex®7 |
| USB3D-IP-ZQ7 | Host IP. 1 project Netlist License for Zynq®7000 |
| USB3H-IP-SP6 | Device IP. 1 project Netlist License for Spartan®6 |
| USB3H-IP-VT6 | Device IP. 1 project Netlist License for Virtex®6 |
| USB3D-IP-KT7 | Device IP. 1 project Netlist License for Kintex®7 |
| USB3H-IP-VT7 | Device IP. 1 project Netlist License for Virtex®7 |
| USB3H-IP-ZQ7 | Device IP. 1 project Netlist License for Zynq®7000 |

Accessories for evaluation

| | | |
|---|--|--|
| AB07-USB3FMC AB07-USB3FMC-1.8VIF | FMC-USB3.0 adaptor board USB3.0 TypeA to A cable (1m) is contained "-1.8VIF": FMC I/O voltage is 1.8V only. | |
|---|--|--|

Please ask us about Multi-License, Evaluation License and Maintenance support License. For more detail and technical information on our web site www.dgway.com/USB3-IP_X_E.html



YouTube Designgateway IP core 検索
IP core Evaluation Demo are available on youtube

